



**ENGINE**

Make	: KUBOTA
Type	: V2403M-T-E3B D Diesel Engine
Number of Cylinders	: 4 in line
Bore & Stroke	: 87 x 102.4 mm
Displacement	: 2434 cm <sup>3</sup>
Maximum Power	: 44 kW, 59 hp (2700 rpm)
Maximum Torque	: 160 Nm (1600 rpm)

High power and torque output, water cooled turbocharged diesel engine.

Compatibles normes USA EPA Interim Tier 4 et Europe EC Stage III-A Réduction des gaz à émissions

**DRIVE SYSTEM**

- Servo controlled Axial Piston Variable Displacement Double Pumps driving Radial Piston, Multi-stroke hydraulic motors enabling forward and reverse motion.
- Service Brake is provided by Hydraulic Driving System
- Spring on, hydraulic pressure off park brake system
- Travel speeds 0-12 km/h forward and reverse.

**CAB & HOOD**

- Ergonomic & Esthetic Interior Design provides maximum space
- Wide Visual Angle
- Full Rops /Fobs cab with sound proofing
- Two joysticks for all controls ergonomically mounted onto seat
- Air conditioner
- Multi-functional Seat with seatbelt
- Easy to read full color LCD display
- Ergonomic & Elegant hand and foot Throttle
- Battery isolator
- Ease of service maintenance
- Well protected fuse box inside the operator cab



**HYDRAULIC SYSTEM**

Main Pump Flow	: 61 lt/min (2700 rpm)
Pressure	: 220 bar
Travel pump Flow	: 243 lt/min (2700 rpm)
Pressure	: 400 bar

**CONTROLS**

Ergonomic servo controlled joysticks mounted on the seat control driving and front loading operation. Same joysticks also control backhoe operation when the operator seat is turned to backhoe side.

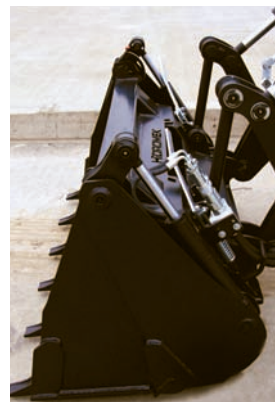
**TIRES**

Front	: 10 x 16.5 10 Pr Skz
Rear	: 10 x 16.5 10 Pr Skz

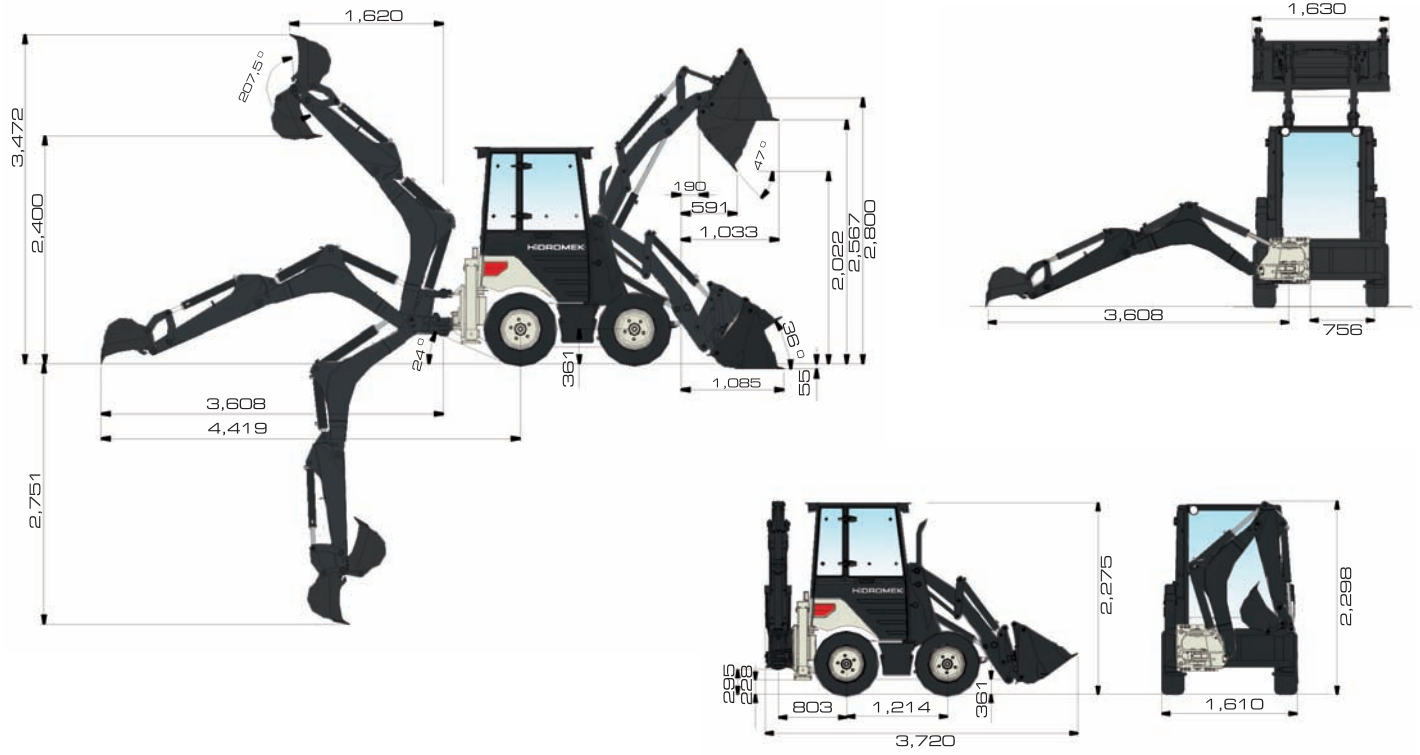
**OPERATING WEIGHT**

Operating weight (with standard equipment \* : 3600 kg

\* Operating weight (includes machine equipped with 420 mm backhoe bucket, shovel without forks, with 75 kg operator weight and full fuel tank.



# HMK 62 SS



LOADER PERFORMANCE	
4 in 1 bucket capacity	0.35 m <sup>3</sup>
Max. bucket breakout force	2883 kgf
Max. loading arm breakout force	3250 kgf
Lifting capacity to maximum height	2190 kg

BACKHOE PERFORMANCE	
Bucket capacity	0.06 m <sup>3</sup>
Max. bucket breakout force	2692 kgf
Max. dipper breakout force	1643 kgf
Lifting capacity to maximum height (rear)	332 kg

## STANDARD EQUIPMENTS

- Rops / Fops cab
- LCD Display
- 4 in 1 Bucket
- Mechanical loader quick hitch
- Auxiliary hydraulic supply to loader
- Seat mounted servo controlled joysticks
- Self levelling
- Rotating beacon
- Battery isolator
- Reverse alarm
- External mirrors
- Working lights
- Road lights
- Seatbelt
- Air conditioner
- Hydraulic breaker installation line



## Attachments



Hydraulic Breaker



Dozer Blades



Standard Bucket



Augers



Agricultural Grab



Forks Mounted on Quick Coupler

## HIDROMEK®

### FACTORY - HEAD OFFICE

Ayas yolu 25. km 1. Organize Sanayi Bölgesi Osmanlı Caddesi No: 1  
06935 Sincan / ANKARA / TURKEY  
Phone: (+90) 312 267 12 60 Fax: (+90) 312 267 21 12  
www.hidromek.com email: export@hidromek.com.tr

Notice:  
HIDROMEK has the right to modify the specifications and design of the model indicated on this brochure without prior notice.