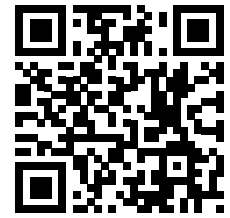
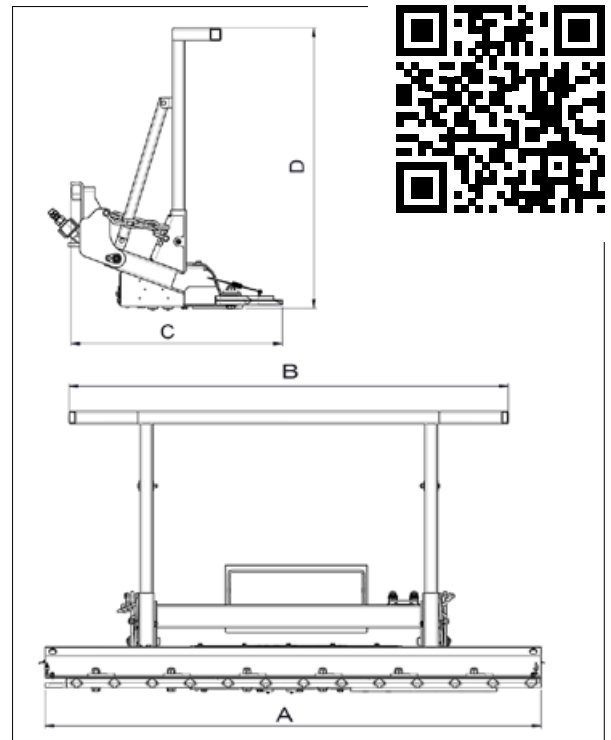


# BRANCH CUTTER

<http://tiny.cc/branchcutter>



Dimensions (cm/in)				
Model	A	B	C	D
50-150	150 / 59	175 / 69	78 / 31	110 / 43
100-150	166 / 65	175 / 69	84 / 33	110 / 43
100-180	196 / 77	175 / 69	84 / 33	110 / 43

## FEATURES & BENEFITS

- Pruning branches and shrubs from 50 mm to 100 mm diameter
- Compact design
- Heavy Duty Frame
- Upper bar

The new branch cutter it's the ideal choice to improve both green and forest maintenance. It is a robust equipment, suitable for pruning branches and shrubs from 50 mm up to 100 mm diameter with a clean and precise cut without tearing plants. Its compact design guarantees easy handling and possibility of use even in areas with dense vegetation. Best suited for uncultivated rough terrain and heavy overgrown weed fields. The branch cutter is designed with double blade system, the lower blade is fixed while the upper one is hydraulically operated. MultiOne branch cutter cutter top range in terms of design, reliability, speed and cut quality. The bar is made with Hardox blades, which are very strong and resistant to stress. Tipping frame will prevent damage to branch cutter and machine from oversized shrubbery and bushes. It is also equipped with an upper bar that protects the machine from falling small trees and shrubs.

Model	Cutting Width	Max. cutting diameter	Weight	Code
Branch cutter BT50-150	150 cm (59 in)	5 cm (2 in)	200 kg (441 lbs)	<b>C890953</b>
Branch cutter BT100-150	160 cm (353 in)	10 cm (4 in)	254 kg (560 lbs)	<b>C890954</b>
Branch cutter BT100-180	190 cm (418 in)	10 cm (4 in)	272 kg (600 lbs)	<b>C890952</b>

Compatibility	1.1	2.3	4.2	5.2	5.3	6.3	7.2	8.4	8.5	11.6	11.9	EZ5	EZ7 EZ8
<b>Model</b>													
BT50-150													
BT100-150													
BT100-180													

