

# INTER-ROW MOWER

<http://tiny.cc/interrow>

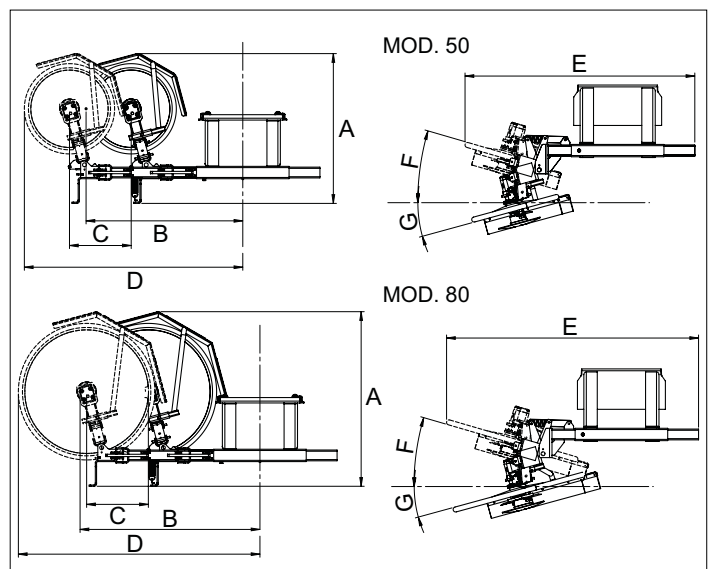


## FEATURES & BENEFITS

- Spring shock absorber system
- Abrasion resistant guard
- Floating system

The inter-row mower is designed to cut grass and shrubs around trees, guard rails, traffic signs, and other obstacles. The floating mower system allows the mower disk to automatically follow ground contours. This system provides excellent productivity and an even cut. The inter-row mower disk can be offset to the right to allow for variable working conditions. It is equipped with a hydraulic valve that prevents blades rotation inversion.

**Note: suggested floating boom valve on machine.**



		Dimensions (cm/in)						
		A	B	C	D	E	F	G
Mod. 50		97	102	40	142	149	16°	15°
		38.2	40	15.7	55.7	58.6		
Mod. 80		113	117	40	157	163	16°	15°
		44.6	45.9	15.7	61.6	64.3		

Model	Mowing disk diameter	Max Side Shift	Nr. Blade	Weight	Code
50	48 cm (18.9 in)	40 cm (15.7 in)	2	108 kg (238 lbs)	<b>C890705</b>
80	80 cm (31.5 in)	40 cm (15.7 in)	2	115 kg (254 lbs)	<b>C890706</b>

Compatibility	1.1	2.3	4.2	5.2	5.3	6.3	7.2	8.4	8.5	11.6	11.9	EZ5	EZ7 EZ8
Model													
50													
80													

