

Engine output: 44 PS

Machine weight: 2620 / 2770 kg

For Earth, For Life

Kubota

RT280

KUBOTA WHEEL LOADER



POWERFUL, MANOEUVRABLE AND VERSATILE

Kubota has developed new range of articulated wheel loaders with an operating weight ranging from 1000 kg to 2800 kg. The new RT-series has been designed to meet the requirements of varying type's of applications such as construction, agriculture, gardening and public works. These articulated wheel loaders combine performance, compactness, safety and comfort as with all Kubota's products.



KUBOTA ORIGINAL ENGINE : POWERFUL, EFFICIENT AND LOW EMISSION

KUBOTA engine is known for its reliability and durability. It is strong and powerful with respect for the environment especially for noise and emissions.



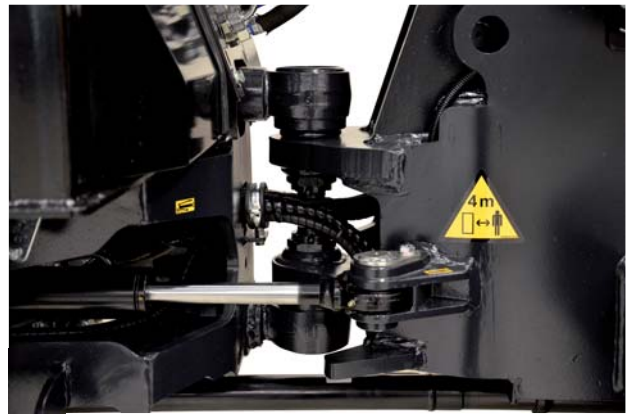
HEAVY DUTY AXLES

The RT280 is equipped with heavy duty axles (max. capacity of 12 tons) which allow a fast travelling speed (up to 25 km/hr according to the tires fitted) and an excellent tipping load superior to competitive models.



PIVOTING ARTICULATION

With an articulation of 45° and an oscillating angle of 8.8° , the RT280 can drive through tight space's without creating any damage on the surface.



HEAVY DUTY CHASSIS

The thickness of the material used, the load resistance and the compactness are the key features of the chassis of the RT-series. In addition, the hydraulic tank is enclosed within the frame which provides additional counterweight.



HYDROSTATIC TRANSMISSION (HST)

The hydrostatic transmission is equipped with an high performance pump which guarantees an efficient transmission of the power to the wheels.

OPERATOR COMFORT



Dashboard

The dashboard provides the operator with easy to read guages for both the fuel level and engine water temperature and with additional warning lights for engine oil pressure, water temperature and battery charge. Therefore, you can operate your wheel loader in full confidence.

Multi-function operating lever and steering column

The user friendly designed multifonction lever allows to control all the main functions of your articulated wheel loader: shuttle switch, auxiliary circuit (according to the versions) and, of course the front attachment fonctions. The steering wheel is tiltable in order to offer the best driving position to the operator.



Ventilation system on the cabin

When the RT280 is equipped with a cabin, a ventilation system allows the operator cool or heated cabin. Thanks to several outlets well dispatched throughout the cabin and several fan speeds, the air is well spread out around the operator, allowing the operator to work more efficiently.

PERFORMANCE / MAINTENANCE



Differential lock

The differential lock is controlled by a switch on the multifunction lever:
100% on request!

High lifting capacity

The RT280 offers a high lifting capacity for a machine of this size. It is the ideal machine for applications which require the transport of heavy loads.

Transmission control

The hydrostatic transmission is controlled by a pedal located on the right side of the steering column. A simple action of the right foot on the pedal acts simultaneously on the engine rpm and also on the hydrostatic pump. The operator can control the travel speed with full concentration on the front attachments being used.



Daily maintenance

The main components which require daily check such as engine oil level, coolant level, air filter and radiator are easily accessible, thanks to the wide opening engine bonnet. In addition, the offset battery off terminals allow a quick starting assistance in the event of battery default.

SAFETY AND SECURITY



Lighting equipment

Road lights are mounted as optional equipment in order to meet the local requirements of road legislation. A working light is located on the front frame (standard). In addition, extra working lights (option) can be mounted on the safety structure (option) to insure safe working conditions during both night & day.

Safety cabin or canopy and full suspension seat

The RT280 is available with cabin or with canopy. In both case's, the protective structures are certified ROPS ISO3471 and FOPS ISO3449. In order to insure a good operating comfort, the full suspension seat is fitted with two arm rests and a safety belt.



Counterweight

The counterweight is integrated in the rear part of the frame. An additional counterweight of 125 kg is available as an option to improve the stability.

STANDARD EQUIPMENT

Fuel system

- Kubota original engine
- Double-element air cleaner

Transmission

- Hydrostatic Transmission - 4 wheel drive
- 12 tons axles with 100% electrical differential lock
- Drum parking brake
- Heavy duty planetary end drive

Hydraulic system

- High performance hydraulic pump
- Locking lever of all front attachment hydraulic functions
- Inching and brake pedal
- Shuttle switch F/R on the multifunction lever
- Auxiliary line 1, double acting valve at the front
- Floating position
- Oil cooler

Safety

- Safety roof : ROPS (Roll-Over Protective Structure ISO 3471) / FOPS (Falling Object Protective Structure ISO 3449)
- Lifting eyes
- Working light on the arm left
- Main switch
- 4 tie down points
- OPC / Operator presence seat switch
- Articulation locking bar

Tires

- Tires 11.5/80-15.3 Farm (total width 110 cm)

Comfort

- Luxury seat with safety belt, armrest and extended backrest
- Tilttable steering column
- Complete dashboard
- Documents compartment

OPTIONAL EQUIPMENT

Hydraulic options

- Extra aux. line mechanical (front or back)
- Extra aux. line electrical (front or back)
- Single/double side stop on aux. line 1 and/or 2 mechanical
- Free return front or back
- Leak oil front or back
- Double gearpump 45 l/min or 60 l/min front or back (includes free return)
- Shock absorber on lifting arm
- Oscillation stabilizer

Regulator

- Hand throttle
- Hand inching
- Pro inching

Safety

- Deluxe safety roof: safety doors, windows front and back, wipers front, 2 mirrors, 2 working lights on roof front and back
- Foldable safety roof: safety doors
- Deluxe foldable safety roof: safety doors, 2 mirrors, 2 working lights front and back

- Cabin: windows front & back, glass doors left & right, front wiper, heating, 2 working lights on roof front & back, 2 mirrors, radio, speakers

Electrical options

- Flashing light on roof
- Traffic lights + 2 mirrors
- Extra working light on arm
- 1 or 2 working lights on roof front
- 1 or 2 working lights on roof back
- 3 pin socket front or back
- 7 pin socket back
- Additional oil cooler
- Buzzer

Trailer system

- Combination towing hook
- 3 point lifting including aux. line mechanical
- 3 point lifting including aux. line mechanical with PTO

Others

- Painting 1 or 2 colors
- Parallel indicator on tilt cylinder
- Counterweight 125 kg
- Mudguard wideners
- Different quick coupler

*For further information consult your local dealer.

Optional tires	Width machine (mm)
31x15.5-15 Farm	1320
31x15.5-15 Construction	1320
31x15.5-15 Skid	1320
15.0/55x17 Farm	1280
420/55-17 Farm	1400
19.0/45x17 Farm	1480
425/40B17 Sand, Grass	1360
500/40x17.5 Industry	1500

ACCESSORIES



Quick coupler

RT280 is equipped with hydraulic quick coupler for easy and fast change of attachments.

non-contractual colours

SPECIFICATIONS

Model		RT280		
Machine weight (canopy / cabin)	kg	2620 / 2770		
Operating weight (canopy / cabin)	kg	2695 / 2845		
Earth bucket capacity	m ³	0.42		
Engine	Make	KUBOTA		
	Model	V1505-T		
	Power	PS/rpm	44/2000	
		kW/rpm	33/2000	
	Number de cylindres	4		
	Displacement	cc	1498	
Cooling type	Water			
Transmission	Type	Hydrostatic		
Performance with pallet fork	Tipping load with pallet fork in straight position (ISO14397)	A	kg	2100
		B	kg	1500
		C	kg	1150
	Tipping load in full turn position (ISO14397)	kg	1167	
	Lifting capacity	kN	21.7	
Breakout force	kN	23.5		
Tires	Type	Farm		
	Dimensions	11.5/80-15.3 AS		
Travel speed	km/h	0~10 / 0~25		
Angle of oscillation	deg.	± 8.8		
Auxiliary circuit	Oil flow	ℓ /min	51	
	Oil pressure	bar	210	
Capacity	Fuel tank	ℓ	47	
	Engine oil	ℓ	5.2	
	Hydraulic tank	ℓ	54	
	Cooling system	ℓ	6	

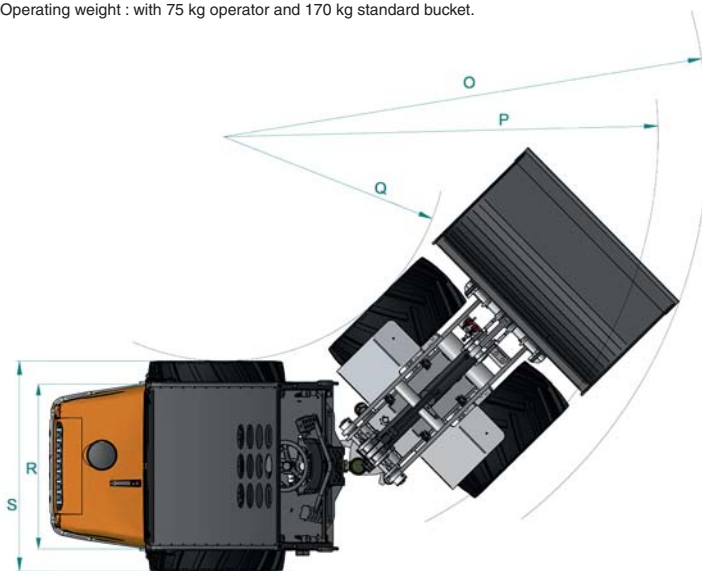
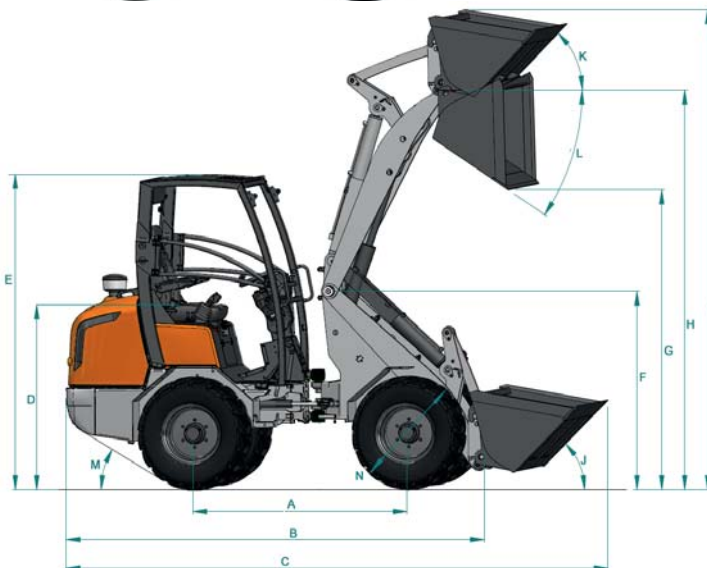
* Machine weight : with 170 kg standard bucket.

* Operating weight : with 75 kg operator and 170 kg standard bucket.

DIMENSIONS

Machine dimensions*	A	Wheel base	mm	1695
	B	Overall length without bucket	mm	3316
	C	Overall length with bucket	mm	4085
	D	Seat height	mm	1341
	E	Overall height	mm	2330
	F	Front frame height	mm	1492
	G	Dumping height	mm	1735
	H	Max. height at hinge pin	mm	2498
	I	Max. lifting height at bucket	mm	3070
	J	Roll back angle at ground level	deg	42°
	K	Roll back angle at max. height	deg	47°
	L	Dumping angle	deg	37°
	M	Rear climbing angle	deg	28°
	N	Diameter of standard wheel	mm	850
	O	Turning radius with bucket	mm	3045
	P	Turning radius (outer wheel)	mm	2560
	Q	Turning radius (inner wheel)	mm	1523
	R	Tread	mm	850
	S	Overall width	mm	1100
-	Articulation angle	deg	45°	
-	Ground clearance	mm	230	

* The data have been measured on the standard version. Specifications are subjects to be changed without notice.



★ All image's shown are for brochure purpose only.
When operating the wheel loader, wear clothing and equipment in accordance to local legal and safety regulations.

KUBOTA EUROPE S.A.S.

19 à 25, rue Jules Verceyrysse
Zone Industrielle - B.P. 50088
95101 Argenteuil Cedex France
Téléphone : (33) 01 34 26 34 34
Télécopieur : (33) 01 34 26 34 99
<http://www.kubota-eu.com>

W21PS02607