



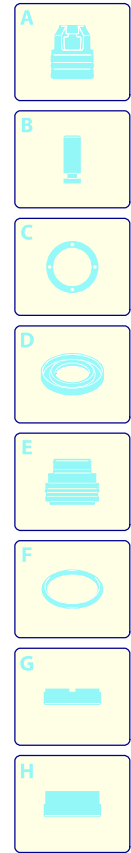
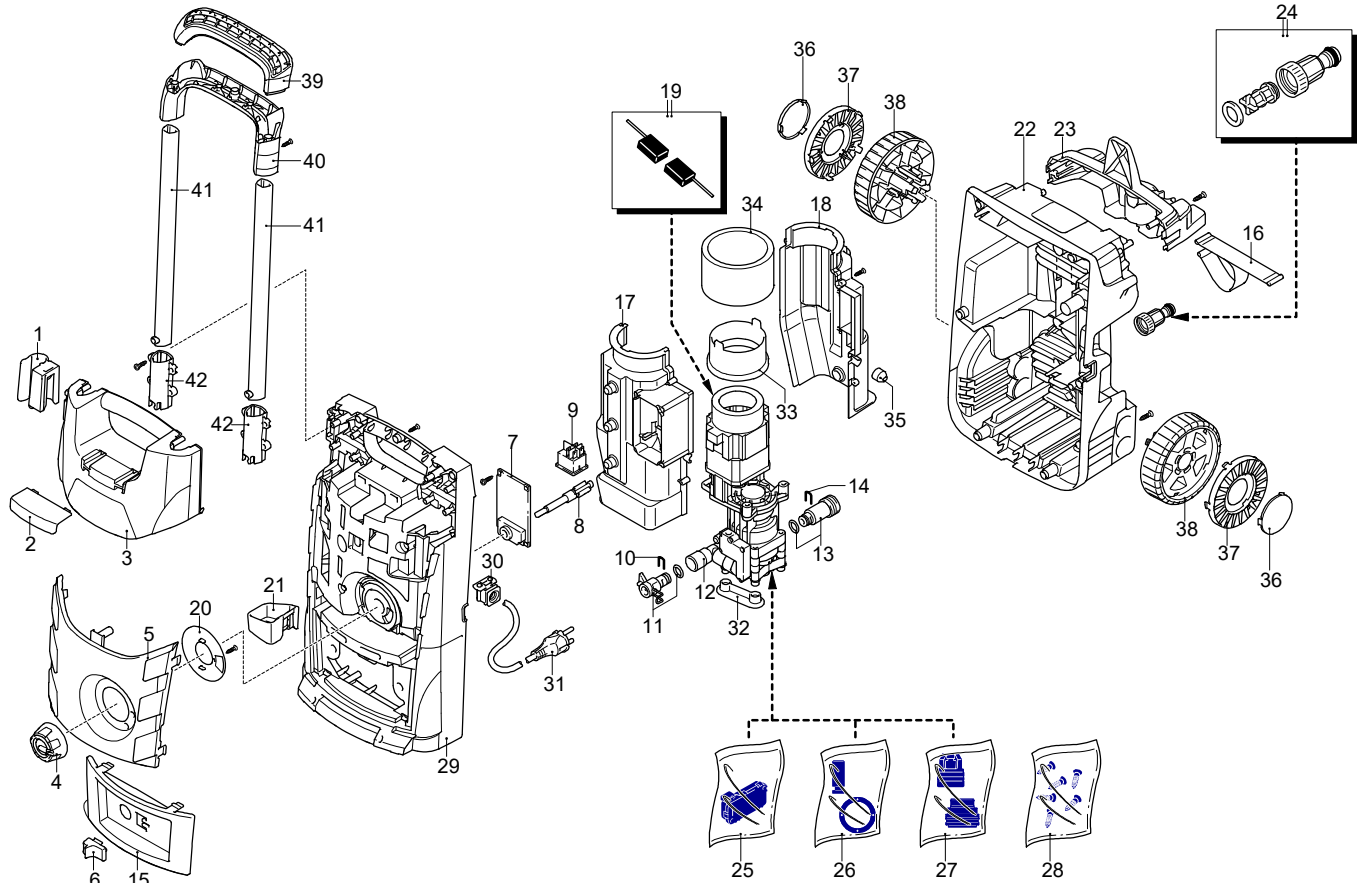
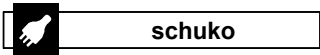
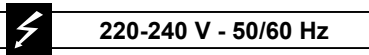
# Model MPX 16 E

Version:

Serial number:

Code: **14749**

11/03/2019



Validity	Pos.	Code	Description	Q
	1	4720540	Accessories carrier	1
	2	4720380	Guard	1
	3	4720310	Casing	1
	4	4720230	Knob	1
	5	4720300	Guard	1
	6	4380394	Push-button	1
	7	3980130	Cover	1
	8	4720350	Pin	1
	9	3081450	Switch	1
	10	3500090	Fork	1
	11	4382480	Fitting	1
	12	4381650	Electric pump assembly	1
	13	3480120	Suction kit	1
	14	3480160	Fork	1
	15	4720320	Guard	1
	16	4720560	Accessories carrier	1
	17	4380160	Conveyor	1
	18	4380170	Conveyor	1
	19	3480170	Brush kit for motor	1
	20	4720390	Plate	1
	21	4720550	Accessories carrier	1
	22	4380960	Base	1
	23	4380230	Accessories carrier	1
	24	3082130	Water coupling kit	1
	25	3480130	TSS kit	1
	26	3480150	Piston + seals kit	1
	27	3480140	Valves + seals kit	1
	28	4720600	Screw kit	1
	29	4720290	Casing	1
	30	3080580	Cable gland	1
	31	3082360	Cable	1
	32	4560251	Support	2
	33	4380180	Guard	1
	34	4720580	Filter	1
	35	4720590	Shim	1
	36	4720370	Plug	2
	37	4720360	Guard	2
	38	4380320	Wheel	2
	39	4720340	Knob	1
	40	4720330	Handle	1
	41	4720450	Pipe	2
	42	4720400	Guide	2

UN\_CE\_2554-CL




# Model MPX 16 E


Version:

Serial number:

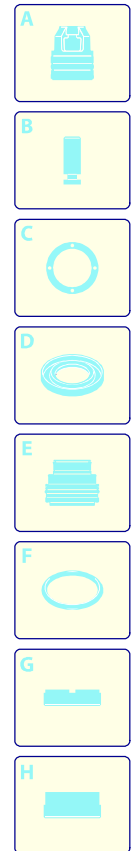
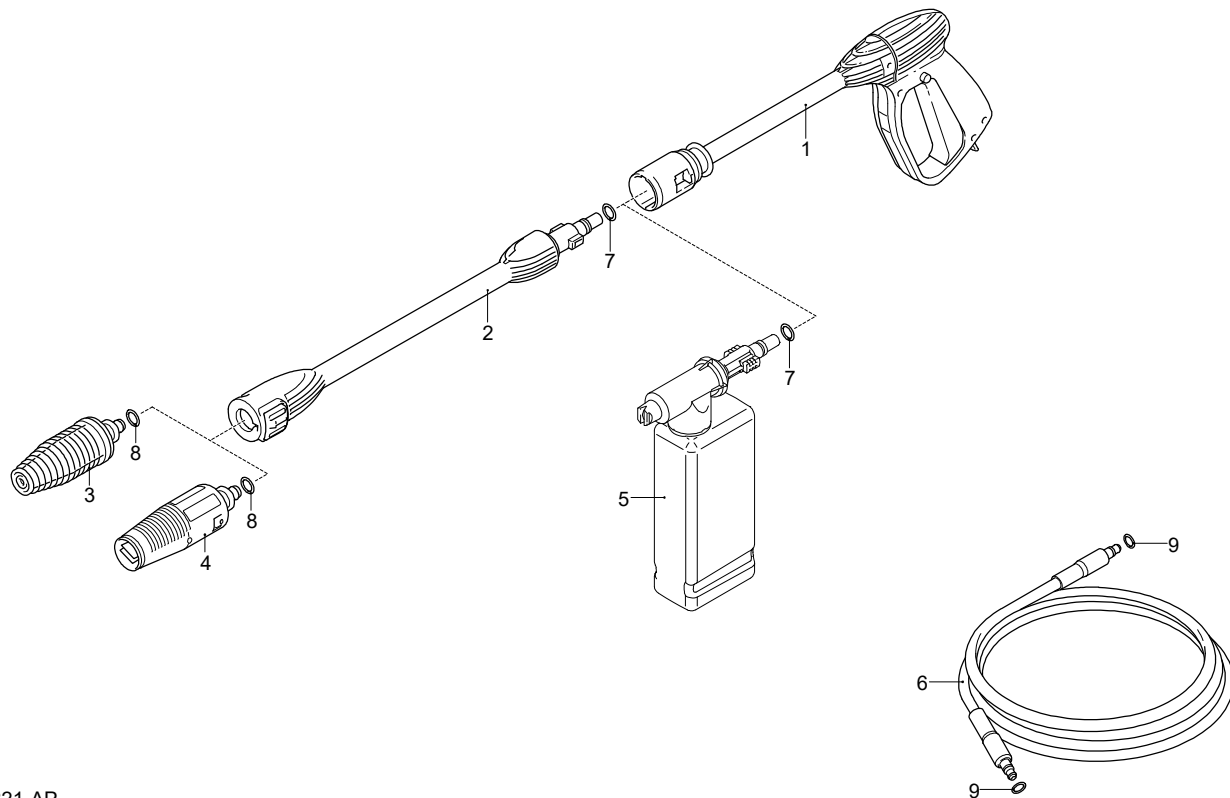
Code: **14749**

11/03/2019

 220-240 V - 50/60 Hz

 schuko

Validity	Pos.	Code	Description	Q
	1	3082281	Gun	1
	2	4100777	Extension	1
	3	4100800	Lance head	1
	4	4381810	Lance head	1
	5	4381500	Tank	1
	6	3500340	High pressure hose	1
	7	3083700	O-ring	1
	8	3083370	O-ring	1
	9	3083400	O-ring	1



UN\_CE\_1821-AP